

## Knife-type fuses PPN

TU 3424-050-05758109-2009

Comply with the requirements of GOST R IEC 60269-1-2010



The power fuses of the PPN series are designed to protect against overloads and short circuits of electrical networks and electrical equipment of industrial enterprises, public and residential buildings, of alternating current with a rated voltage up to 500 V, frequency 50 and 60 Hz.



### Benefits

- Implementation of any technical solutions
  - full range of products for currents from 6 to 1600 A;
  - large values of the current limit to 50 kA;
  - simple selective coordination;
  - profitability while ensuring high reliability;
  - indication and alarm of the fuse triggering.
- Ensuring reliable operation and safety of operation
  - ability to pass limited values of the expected short circuit current;
  - reliable protection against short circuits and overloads;
  - high quality materials used;
  - long service life and ease of maintenance.
- Advanced applications
  - possibility of application in harsh environments - climatic modification UHL.

## Design features



The contacts of the Fuse are made in the form of a knife (sharped), which allows them to be installed in holders with less effort.



In the design of the Fuse there is a special indicator, made in the form of a sliding rod, which allows you to visually identify the fuses operated.



Fusible elements are made of electrical copper with soldering from tin, which allows to provide protection against short circuits and overloads.



Ceramic housing has high strength, due to which high rates of breaking capacity are provided.



The method of filling the fuses with filler (high purity quartz sand) allows to achieve a high filling density and provides effective damping of the electric arc inside the fuse when it is triggered.

## Structure of the Fuse designation

### PPN-X<sub>1</sub>X<sub>2</sub>-X<sub>3</sub>X<sub>4</sub>-X<sub>5</sub>-X<sub>6</sub>...A-UHL3-KEAZ

|                                   |  |           |     |           |           |           |           |      |
|-----------------------------------|--|-----------|-----|-----------|-----------|-----------|-----------|------|
| <b>PPN</b>                        | - Designation of the series  |           |     |           |           |           |           |      |
| <b>X<sub>1</sub>X<sub>2</sub></b> | - two-digit number: designation of the clearance   |           |     |           |           |           |           |      |
|                                   | <b>Indication</b>  | <b>33</b> |     | <b>35</b> | <b>37</b> | <b>39</b> | <b>41</b> |      |
|                                   | Maximum clearance current, A   | 100       | 160 | 160       | 250       | 400       | 630       | 1250 |
|                                   | Clearance  | 00C       | 00  | 0         | 1         | 2         | 3         | 4    |
| <b>X<sub>3</sub></b>              | - Digit. Designation of the delivery set: X - without base (fusible link)  |           |     |           |           |           |           |      |
| <b>X<sub>4</sub></b>              | - Digit. Designation of the presence of a trigger indicator:<br>0 - w/o trigger indicator; 3 - w/trigger indicator |           |     |           |           |           |           |      |
| <b>X<sub>5</sub></b>              | - Digit. clearance - 00C; 00; 0; 1; 2; 3; 4  |           |     |           |           |           |           |      |
| <b>X<sub>6</sub>...A</b>          | - Digit. Value of the rated current of the fuse link, A  |           |     |           |           |           |           |      |
| <b>UHL3</b>                       | - Climatic version in accordance with GOST 15150; UHL3   |           |     |           |           |           |           |      |
| <b>KEAZ</b>                       | - Trademark  |           |     |           |           |           |           |      |

\*) See the structure of the base designation

Typical version  
 Fuse PPN-33-23-00C-100A-UHL3-KEAZ  
 Fuse PPN-33-H3-00C-100A-UHL3-KEAZ

## Designation structure основания

### PPN-XX-IH-UHL3-KEAZ

|             |  |    |          |
|-------------|--|----|----------|
| <b>PPN</b>  | - Designation of the series  |    |          |
| <b>XX</b>   | - Two-digit or single-digit number - designation of the clearance: 00; 0; 1; 2; 3; 4 |    |          |
| <b>IH</b>   | - Letter "I" - the version of the base and the digit - the version number:           |    |          |
|             | 1  | 1B | 2        |
|             | see Figure   |    |          |
|             | page 274   |    | page 275 |
| <b>UHL3</b> | - Climatic version in accordance with GOST 15150-69; UHL3                            |    |          |
| <b>KEAZ</b> | - Trademark  |    |          |

Record example:  
 Base PPN-00-I1-B-UHL3-KEAZ

## Specifications

Installation method:

- mounted on its own insulating base, in the base contacts.



Operation conditions:






- climatic category: UHL3;
- operating temperature range: -60°C to +40°C;
- operating conditions group: M7, M25;
- working position in space: vertical or horizontal.





| Type           |           |     | Rated current, A | Rated voltage, V AC | Power loss (W) at $I_n$ | Limit breaking current, kA alternating current | Packing, pcs | Weight, kg |
|----------------|-----------|-----|------------------|---------------------|-------------------------|--|--------------|------------|
| PPN-33-H3 (H0) | clearance | 00C | 6                | 500                 | 1.6                     | 50   | 5            | 0.2        |
| PPN-33-H3 (H0) | clearance | 00C | 10               | 500                 | 1.7                     | 50   | 5            | 0.2        |
| PPN-33-H3 (H0) | clearance | 00C | 16               | 500                 | 1.8                     | 50   | 5            | 0.2        |
| PPN-33-H3 (H0) | clearance | 00C | 20               | 500                 | 1.9                     | 50   | 5            | 0.2        |
| PPN-33-H3 (H0) | clearance | 00C | 25               | 500                 | 2.0                     | 50   | 5            | 0.2        |
| PPN-33-H3 (H0) | clearance | 00C | 32               | 500                 | 2.1                     | 50   | 5            | 0.2        |
| PPN-33-H3 (H0) | clearance | 00C | 40               | 500                 | 3.1                     | 50   | 5            | 0.2        |
| PPN-33-H3 (H0) | clearance | 00C | 50               | 500                 | 4.3                     | 50   | 5            | 0.2        |
| PPN-33-H3 (H0) | clearance | 00C | 63               | 500                 | 5.8                     | 50   | 5            | 0.2        |
| PPN-33-H3 (H0) | clearance | 00C | 80               | 500                 | 9.0                     | 50   | 5            | 0.2        |
| PPN-33-H3 (H0) | clearance | 00C | 100              | 500                 | 11                      | 50   | 5            | 0.2        |
| PPN-33-H3 (H0) | clearance | 00  | 6                | 500                 | 1.6                     | 50   | 5            | 0.2        |
| PPN-33-H3 (H0) | clearance | 00  | 10               | 500                 | 1.7                     | 50   | 5            | 0.2        |
| PPN-33-H3 (H0) | clearance | 00  | 16               | 500                 | 1.8                     | 50   | 5            | 0.2        |
| PPN-33-H3 (H0) | clearance | 00  | 20               | 500                 | 1.9                     | 50   | 5            | 0.2        |
| PPN-33-H3 (H0) | clearance | 00  | 25               | 500                 | 2.0                     | 50   | 5            | 0.2        |
| PPN-33-H3 (H0) | clearance | 00  | 32               | 500                 | 2.1                     | 50   | 5            | 0.2        |
| PPN-33-H3 (H0) | clearance | 00  | 40               | 500                 | 3.1                     | 50   | 5            | 0.2        |
| PPN-33-H3 (H0) | clearance | 00  | 50               | 500                 | 4.3                     | 50   | 5            | 0.2        |
| PPN-33-H3 (H0) | clearance | 00  | 63               | 500                 | 5.8                     | 50   | 5            | 0.2        |
| PPN-33-H3 (H0) | clearance | 00  | 80               | 500                 | 9.0                     | 50   | 5            | 0.2        |
| PPN-33-H3 (H0) | clearance | 00  | 100              | 500                 | 10.2                    | 50   | 5            | 0.2        |
| PPN-33-H3 (H0) | clearance | 00  | 125              | 500                 | 12.2                    | 50   | 5            | 0.2        |
| PPN-33-H3 (H0) | clearance | 00  | 160              | 500                 | 14.4                    | 50   | 5            | 0.2        |
| PPN-33-H3 (H0) | clearance | 0   | 40               | 500                 | 3.1                     | 50   | 5            | 0.26       |
| PPN-33-H3 (H0) | clearance | 0   | 50               | 500                 | 4.3                     | 50   | 5            | 0.26       |
| PPN-33-H3 (H0) | clearance | 0   | 63               | 500                 | 5.8                     | 50   | 5            | 0.26       |
| PPN-33-H3 (H0) | clearance | 0   | 80               | 500                 | 9.0                     | 50   | 5            | 0.26       |
| PPN-33-H3 (H0) | clearance | 0   | 100              | 500                 | 10.2                    | 50   | 5            | 0.26       |
| PPN-33-H3 (H0) | clearance | 0   | 125              | 500                 | 12.2                    | 50   | 5            | 0.26       |
| PPN-33-H3 (H0) | clearance | 0   | 160              | 500                 | 16                      | 50   | 5            | 0.26       |
| PPN-35-H3 (H0) | clearance | 1   | 10               | 500                 | 1.7                     | 50   | 5            | 0.27       |
| PPN-35-H3 (H0) | clearance | 1   | 16               | 500                 | 1.8                     | 50   | 5            | 0.27       |
| PPN-35-H3 (H0) | clearance | 1   | 20               | 500                 | 1.9                     | 50   | 5            | 0.27       |
| PPN-35-H3 (H0) | clearance | 1   | 32               | 500                 | 2.1                     | 50   | 5            | 0.27       |
| PPN-35-H3 (H0) | clearance | 1   | 63               | 500                 | 5.8                     | 50   | 5            | 0.27       |
| PPN-35-H3 (H0) | clearance | 1   | 80               | 500                 | 9.0                     | 50   | 5            | 0.27       |
| PPN-35-H3 (H0) | clearance | 1   | 100              | 500                 | 11                      | 50   | 5            | 0.27       |
| PPN-35-H3 (H0) | clearance | 1   | 125              | 500                 | 12.2                    | 50   | 5            | 0.27       |
| PPN-35-H3 (H0) | clearance | 1   | 160              | 500                 | 16                      | 50   | 5            | 0.27       |
| PPN-35-H3 (H0) | clearance | 1   | 200              | 500                 | 18.6                    | 50   | 5            | 0.27       |
| PPN-35-H3 (H0) | clearance | 1   | 250              | 500                 | 23                      | 50   | 5            | 0.27       |
| PPN-37-H3 (H0) | clearance | 2   | 40               | 500                 | 3.1                     | 50   | 5            | 0.5        |
| PPN-37-H3 (H0) | clearance | 2   | 50               | 500                 | 4.3                     | 50   | 5            | 0.5        |
| PPN-37-H3 (H0) | clearance | 2   | 63               | 500                 | 5.8                     | 50   | 5            | 0.5        |




| Type           |           | Rated current, A | Rated voltage, V AC | Power loss (W) at I <sub>n</sub> | Limit breaking current, kA alternating current | Packing, pcs | Weight, kg |     |
|----------------|-----------|------------------|---------------------|----------------------------------|--|--------------|------------|-----|
| PPN-37-H3 (H0) | clearance | 2                | 80                  | 500                              | 9.0  | 50           | 5          | 0.5 |
| PPN-37-H3 (H0) | clearance | 2                | 100                 | 500                              | 11   | 50           | 5          | 0.5 |
| PPN-37-H3 (H0) | clearance | 2                | 125                 | 500                              | 12.2   | 50           | 5          | 0.5 |
| PPN-37-H3 (H0) | clearance | 2                | 160                 | 500                              | 14.4   | 50           | 5          | 0.5 |
| PPN-37-H3 (H0) | clearance | 2                | 200                 | 500                              | 18.6   | 50           | 5          | 0.5 |
| PPN-37-H3 (H0) | clearance | 2                | 250                 | 500                              | 23   | 50           | 5          | 0.5 |
| PPN-37-H3 (H0) | clearance | 2                | 315                 | 500                              | 30.5   | 50           | 5          | 0.5 |
| PPN-37-H3 (H0) | clearance | 2                | 400                 | 500                              | 34.0   | 50           | 5          | 0.5 |
| PPN-39-H3 (H0) | clearance | 3                | 100                 | 500                              | 11   | 50           | 5          | 1.1 |
| PPN-39-H3 (H0) | clearance | 3                | 160                 | 500                              | 14.4   | 50           | 5          | 1.1 |
| PPN-39-H3 (H0) | clearance | 3                | 200                 | 500                              | 18.6   | 50           | 5          | 1.1 |
| PPN-39-H3 (H0) | clearance | 3                | 250                 | 500                              | 23   | 50           | 5          | 1.1 |
| PPN-39-H3 (H0) | clearance | 3                | 315                 | 500                              | 30.5   | 50           | 5          | 1.1 |
| PPN-39-H3 (H0) | clearance | 3                | 400                 | 500                              | 34.0   | 50           | 5          | 1.1 |
| PPN-39-H3 (H0) | clearance | 3                | 500                 | 500                              | 40.3   | 50           | 5          | 1.1 |
| PPN-39-H3 (H0) | clearance | 3                | 630                 | 500                              | 48   | 50           | 5          | 1.1 |
| PPN-41-H3 (H0) | clearance | 4                | 630                 | 500                              | 48   | 50           | 5          | 2.6 |
| PPN-41-H3 (H0) | clearance | 4                | 800                 | 500                              | 60.0   | 50           | 5          | 2.6 |
| PPN-41-H3 (H0) | clearance | 4                | 1000                | 500                              | 90.0   | 50           | 5          | 2.6 |
| PPN-41-H3 (H0) | clearance | 4                | 1250                | 500                              | 110.0  | 50           | 5          | 2.6 |

## Item numbers

|   | Name                         | Clearance | Rated current of fuse, A | Item number |
|---|------------------------------|-----------|--------------------------|-------------|
|  | Fuse PPN-33-H0-00C-6A-UHL3   | 00C       | 6                        | 111300      |
|   | Fuse PPN-33-H0-00C-10A-UHL3  | 00C       | 10                       | 111292      |
|   | Fuse PPN-33-H0-00C-16A-UHL3  | 00C       | 16                       | 111294      |
|   | Fuse PPN-33-H0-00C-20A-UHL3  | 00C       | 20                       | 111295      |
|   | Fuse PPN-33-H0-00C-25A-UHL3  | 00C       | 25                       | 111296      |
|   | Fuse PPN-33-H0-00C-32A-UHL3  | 00C       | 32                       | 111297      |
|   | Fuse PPN-33-H0-00C-40A-UHL3  | 00C       | 40                       | 111298      |
|   | Fuse PPN-33-H0-00C-50A-UHL3  | 00C       | 50                       | 111299      |
|   | Fuse PPN-33-H0-00C-63A-UHL3  | 00C       | 63                       | 111301      |
|   | Fuse PPN-33-H0-00C-80A-UHL3  | 00C       | 80                       | 111302      |
|   | Fuse PPN-33-H0-00C-100A-UHL3 | 00C       | 100                      | 111293      |
|  | Fuse PPN-33-H0-00-6A-UHL3    | 00        | 6                        | 111289      |
|   | Fuse PPN-33-H0-00-10A-UHL3   | 00        | 10                       | 111279      |
|   | Fuse PPN-33-H0-00-16A-UHL3   | 00        | 16                       | 111282      |
|   | Fuse PPN-33-H0-00-20A-UHL3   | 00        | 20                       | 111284      |
|   | Fuse PPN-33-H0-00-25A-UHL3   | 00        | 25                       | 111285      |
|   | Fuse PPN-33-H0-00-32A-UHL3   | 00        | 32                       | 111286      |
|   | Fuse PPN-33-H0-00-40A-UHL3   | 00        | 40                       | 111287      |
|   | Fuse PPN-33-H0-00-50A-UHL3   | 00        | 50                       | 111288      |
|   | Fuse PPN-33-H0-00-63A-UHL3   | 00        | 63                       | 111290      |
|   | Fuse PPN-33-H0-00-80A-UHL3   | 00        | 80                       | 111291      |
|   | Fuse PPN-33-H0-00-100A-UHL3  | 00        | 100                      | 111280      |
|   | Fuse PPN-33-H0-00-125A-UHL3  | 00        | 125                      | 111281      |
|   | Fuse PPN-33-H0-00-160A-UHL3  | 00        | 160                      | 111283      |

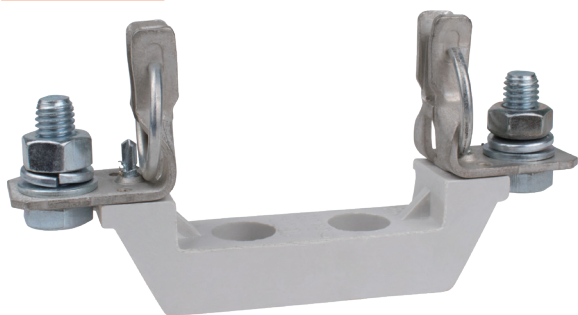
|   | Name                         | Clearance | Rated current of fuse, A | Item number |
|---|------------------------------|-----------|--------------------------|-------------|
|    | Fuse PPN-33-H0-0-4A-UHL3     | 0         | 4                        | 244892      |
|   | Fuse PPN-33-H0-0-16A-UHL3    | 0         | 16                       | 244888      |
|   | Fuse PPN-33-H0-0-20A-UHL3    | 0         | 20                       | 244889      |
|   | Fuse PPN-33-H0-0-25A-UHL3    | 0         | 25                       | 244890      |
|   | Fuse PPN-33-H0-0-32A-UHL3    | 0         | 32                       | 244891      |
|   | Fuse PPN-33-H0-0-40A-UHL3    | 0         | 40                       | 244860      |
|   | Fuse PPN-33-H0-0-50A-UHL3    | 0         | 50                       | 244861      |
|   | Fuse PPN-33-H0-0-63A-UHL3    | 0         | 63                       | 244862      |
|   | Fuse PPN-33-H0-0-80A-UHL3    | 0         | 80                       | 244863      |
|   | Fuse PPN-33-H0-0-100A-UHL3   | 0         | 100                      | 244857      |
|   | Fuse PPN-33-H0-0-125A-UHL3   | 0         | 125                      | 244858      |
|   | Fuse PPN-33-H0-0-160A-UHL3   | 0         | 160                      | 244859      |
|    | Fuse PPN-35-H0-1-10A-UHL3    | 1         | 10                       | 111303      |
|   | Fuse PPN-35-H0-1-16A-UHL3    | 1         | 16                       | 111306      |
|   | Fuse PPN-35-H0-1-20A-UHL3    | 1         | 20                       | 111308      |
|   | Fuse PPN-35-H0-1-25A-UHL3    | 1         | 25                       | 244910      |
|   | Fuse PPN-35-H0-1-32A-UHL3    | 1         | 32                       | 111311      |
|   | Fuse PPN-35-H0-1-40A-UHL3    | 1         | 40                       | 244911      |
|   | Fuse PPN-35-H0-1-50A-UHL3    | 1         | 50                       | 244912      |
|   | Fuse PPN-35-H0-1-63A-UHL3    | 1         | 63                       | 111312      |
|   | Fuse PPN-35-H0-1-80A-UHL3    | 1         | 80                       | 111313      |
|   | Fuse PPN-35-H0-1-100A-UHL3   | 1         | 100                      | 111304      |
|   | Fuse PPN-35-H0-1-125A-UHL3   | 1         | 125                      | 111305      |
|   | Fuse PPN-35-H0-1-160A-UHL3   | 1         | 160                      | 111307      |
|   | Fuse PPN-37-H0-2-40A-UHL3    | 2         | 40                       | 111320      |
|   | Fuse PPN-37-H0-2-50A-UHL3    | 2         | 50                       | 111322      |
|   | Fuse PPN-37-H0-2-63A-UHL3    | 2         | 63                       | 111323      |
|   | Fuse PPN-37-H0-2-80A-UHL3    | 2         | 80                       | 111324      |
|   | Fuse PPN-37-H0-2-100A-UHL3   | 2         | 100                      | 111314      |
|   | Fuse PPN-37-H0-2-125A-UHL3   | 2         | 125                      | 111315      |
|   | Fuse PPN-37-H0-2-160A-UHL3   | 2         | 160                      | 111316      |
|   | Fuse PPN-37-H0-2-200A-UHL3   | 2         | 200                      | 111317      |
|   | Fuse PPN-37-H0-2-250A-UHL3   | 2         | 250                      | 111318      |
|   | Fuse PPN-37-H0-2-315A-UHL3   | 2         | 315                      | 111319      |
|   | Fuse PPN-37-H0-2-355A-UHL3   | 2         | 355                      | 244924      |
|   | Fuse PPN-37-H0-2-400A-UHL3   | 2         | 400                      | 111321      |
|  | Fuse PPN-39-H0-3-63A-UHL3    | 3         | 63                       | 244936      |
|   | Fuse PPN-39-H0-3-100A-UHL3   | 3         | 100                      | 244925      |
|   | Fuse PPN-39-H0-3-125A-UHL3   | 3         | 125                      | 244933      |
|   | Fuse PPN-39-H0-3-160A-UHL3   | 3         | 160                      | 244926      |
|   | Fuse PPN-39-H0-3-200A-UHL3   | 3         | 200                      | 244927      |
|   | Fuse PPN-39-H0-3-250A-UHL3   | 3         | 250                      | 111328      |
|   | Fuse PPN-39-H0-3-315A-UHL3   | 3         | 315                      | 244929      |
|   | Fuse PPN-39-H0-3-355A-UHL3   | 3         | 355                      | 244934      |
|   | Fuse PPN-39-H0-3-400A-UHL3   | 3         | 400                      | 244930      |
|   | Fuse PPN-39-H0-3-500A-UHL3   | 3         | 500                      | 111331      |
|  | Fuse PPN-41-H0-4-630A-UHL3   | 4         | 630                      | 244940      |
|   | Fuse PPN-41-H0-4-800A-UHL3   | 4         | 800                      | 244941      |
|   | Fuse PPN-41-H0-4-1000A-UHL3  | 4         | 1000                     | 111333      |
|   | Fuse PPN-41-H0-4-1250A-UHL3  | 4         | 1250                     | 244938      |
|   | Fuse PPN-41-H0-4-1600A-UHL3  | 4         | 1600                     | 244939      |
|   | Fuse PPN-41-H0-4A-630A-UHL3  | 4a        | 630                      | 248882      |
|   | Fuse PPN-41-H0-4A-800A-UHL3  | 4a        | 800                      | 248883      |
|   | Fuse PPN-41-H0-4A-1000A-UHL3 | 4a        | 1000                     | 244942      |
|   | Fuse PPN-41-H0-4A-1250A-UHL3 | 4a        | 1250                     | 248884      |
|   | Fuse PPN-41-H0-4A-1600A-UHL3 | 4a        | 1600                     | 248885      |

|   | Name                         | Clearance | Rated current of fuse, A | Item number |
|---|------------------------------|-----------|--------------------------|-------------|
|    | Fuse PPN-33-X3-00C-6A-UHL3   | 00C       | 6                        | 111368      |
|   | Fuse PPN-33-X3-00C-10A-UHL3  | 00C       | 10                       | 111360      |
|   | Fuse PPN-33-X3-00C-16A-UHL3  | 00C       | 16                       | 111362      |
|   | Fuse PPN-33-X3-00C-20A-UHL3  | 00C       | 20                       | 111363      |
|   | Fuse PPN-33-X3-00C-25A-UHL3  | 00C       | 25                       | 111364      |
|   | Fuse PPN-33-X3-00C-32A-UHL3  | 00C       | 32                       | 111365      |
|   | Fuse PPN-33-X3-00C-40A-UHL3  | 00C       | 40                       | 111366      |
|   | Fuse PPN-33-X3-00C-50A-UHL3  | 00C       | 50                       | 111367      |
|   | Fuse PPN-33-X3-00C-63A-UHL3  | 00C       | 63                       | 111369      |
|   | Fuse PPN-33-X3-00C-80A-UHL3  | 00C       | 80                       | 111370      |
|   | Fuse PPN-33-X3-00C-100A-UHL3 | 00C       | 100                      | 111361      |
|   | Fuse PPN-33-X3-00-6A-UHL3    | 00        | 6                        | 111357      |
|   | Fuse PPN-33-X3-00-10A-UHL3   | 00        | 10                       | 111347      |
|   | Fuse PPN-33-H3-00-10A-T3     | 00        | 10                       | 120172      |
|   | Fuse PPN-33-X3-00-16A-UHL3   | 00        | 16                       | 111350      |
|   | Fuse PPN-33-X3-00-20A-UHL3   | 00        | 20                       | 111352      |
|   | Fuse PPN-33-H3-00-20A-T3     | 00        | 20                       | 120178      |
|   | Fuse PPN-33-X3-00-25A-UHL3   | 00        | 25                       | 111353      |
|   | Fuse PPN-33-X3-00-32A-UHL3   | 00        | 32                       | 111354      |
|   | Fuse PPN-33-H3-00-32A-T3     | 00        | 32                       | 120181      |
|   | Fuse PPN-33-X3-00-40A-UHL3   | 00        | 40                       | 111355      |
|   | Fuse PPN-33-H3-00-40A-T3     | 00        | 40                       | 120183      |
|   | Fuse PPN-33-X3-00-50A-UHL3   | 00        | 50                       | 111356      |
|   | Fuse PPN-33-X3-00-63A-UHL3   | 00        | 63                       | 111358      |
|   | Fuse PPN-33-H3-00-63A-T3     | 00        | 63                       | 120188      |
|   | Fuse PPN-33-X3-00-80A-UHL3   | 00        | 80                       | 111359      |
|   | Fuse PPN-33-X3-00-100A-UHL3  | 00        | 100                      | 111348      |
|   | Fuse PPN-33-H3-00-100A-T3    | 00        | 100                      | 120193      |
| Fuse PPN-33-X3-00-125A-UHL3   | 00                           | 125       | 111349                   |             |
| Fuse PPN-33-X3-00-160A-UHL3   | 00                           | 160       | 111351                   |             |
|  | Fuse PPN-33-H3-0-4A-UHL3     | 0         | 4                        | 120203      |
|   | Fuse PPN-33-H3-0-16A-UHL3    | 0         | 16                       | 120212      |
|   | Fuse PPN-33-H3-0-20A-UHL3    | 0         | 20                       | 120214      |
|   | Fuse PPN-33-H3-0-25A-UHL3    | 0         | 25                       | 120216      |
|   | Fuse PPN-33-H3-0-32A-UHL3    | 0         | 32                       | 120218      |
|   | Fuse PPN-33-X3-0-40A-UHL3    | 0         | 40                       | 111342      |
|   | Fuse PPN-33-X3-0-50A-UHL3    | 0         | 50                       | 111344      |
|   | Fuse PPN-33-X3-0-63A-UHL3    | 0         | 63                       | 111345      |
|   | Fuse PPN-33-X3-0-80A-UHL3    | 0         | 80                       | 111346      |
|   | Fuse PPN-33-X3-0-100A-UHL3   | 0         | 100                      | 111338      |
|   | Fuse PPN-33-X3-0-125A-UHL3   | 0         | 125                      | 111339      |
| Fuse PPN-33-X3-0-160A-UHL3  | 0                            | 160       | 111341                   |             |
|  | Fuse PPN-35-X3-1-10A-UHL3    | 1         | 10                       | 111371      |
|   | Fuse PPN-35-X3-1-16A-UHL3    | 1         | 16                       | 111374      |
|   | Fuse PPN-35-X3-1-20A-UHL3    | 1         | 20                       | 111376      |
|   | Fuse PPN-35-H3-1-25A-UHL3    | 1         | 25                       | 120225      |
|   | Fuse PPN-35-X3-1-32A-UHL3    | 1         | 32                       | 111379      |
|   | Fuse PPN-35-H3-1-40A-UHL3    | 1         | 40                       | 120229      |
|   | Fuse PPN-35-H3-1-50A-UHL3    | 1         | 50                       | 120232      |
|   | Fuse PPN-35-X3-1-63A-UHL3    | 1         | 63                       | 111380      |
|   | Fuse PPN-35-X3-1-80A-UHL3    | 1         | 80                       | 111381      |
|   | Fuse PPN-35-X3-1-100A-UHL3   | 1         | 100                      | 111372      |
|   | Fuse PPN-35-X3-1-125A-UHL3   | 1         | 125                      | 111373      |
|   | Fuse PPN-35-X3-1-160A-UHL3   | 1         | 160                      | 111375      |
|   | Fuse PPN-35-X3-1-200A-UHL3   | 1         | 200                      | 111377      |
|   | Fuse PPN-35-X3-1-250A-UHL3   | 1         | 250                      | 111378      |

|   | Name                         | Clearance | Rated current of fuse, A | Item number |
|---|------------------------------|-----------|--------------------------|-------------|
|    | Fuse PPN-37-X3-2-40A-UHL3    | 2         | 40                       | 111388      |
|   | Fuse PPN-37-X3-2-50A-UHL3    | 2         | 50                       | 111391      |
|   | Fuse PPN-37-X3-2-63A-UHL3    | 2         | 63                       | 111392      |
|   | Fuse PPN-37-X3-2-80A-UHL3    | 2         | 80                       | 111393      |
|   | Fuse PPN-37-X3-2-100A-UHL3   | 2         | 100                      | 111382      |
|   | Fuse PPN-37-X3-2-125A-UHL3   | 2         | 125                      | 111383      |
|   | Fuse PPN-37-X3-2-160A-UHL3   | 2         | 160                      | 111384      |
|   | Fuse PPN-37-X3-2-200A-UHL3   | 2         | 200                      | 111385      |
|   | Fuse PPN-37-X3-2-250A-UHL3   | 2         | 250                      | 111386      |
|   | Fuse PPN-37-X3-2-315A-UHL3   | 2         | 315                      | 111387      |
|   | Fuse PPN-37-H3-2-355A-UHL3   | 2         | 355                      | 120250      |
|   | Fuse PPN-37-X3-2-400A-UHL3   | 2         | 400                      | 111390      |
|   | Fuse PPN-39-H3-3-63A-UHL3    | 3         | 63                       | 120254      |
|   | Fuse PPN-39-X3-3-100A-UHL3   | 3         | 100                      | 111394      |
|   | Fuse PPN-39-H3-3-125A-UHL3   | 3         | 125                      | 120257      |
|   | Fuse PPN-39-X3-3-160A-UHL3   | 3         | 160                      | 111395      |
|   | Fuse PPN-39-X3-3-200A-UHL3   | 3         | 200                      | 111396      |
|   | Fuse PPN-39-X3-3-250A-UHL3   | 3         | 250                      | 111397      |
|   | Fuse PPN-39-X3-3-315A-UHL3   | 3         | 315                      | 111398      |
|   | Fuse PPN-39-H3-3-355A-UHL3   | 3         | 355                      | 120259      |
|   | Fuse PPN-39-X3-3-400A-UHL3   | 3         | 400                      | 111399      |
|   | Fuse PPN-39-H3-3-400A-T3     | 3         | 400                      | 120260      |
|   | Fuse PPN-39-X3-3-500A-UHL3   | 3         | 500                      | 111400      |
|   | Fuse PPN-39-X3-3-630A-UHL3   | 3         | 630                      | 111401      |
|  | Fuse PPN-41-X3-4-630A-UHL3   | 4         | 630                      | 111404      |
|   | Fuse PPN-41-X3-4-800A-UHL3   | 4         | 800                      | 111405      |
|   | Fuse PPN-41-X3-4-1000A-UHL3  | 4         | 1000                     | 111402      |
|   | Fuse PPN-41-X3-4-1250A-UHL3  | 4         | 1250                     | 111403      |
|   | Fuse PPN-41-X3-4-1600A-UHL3  | 4         | 1600                     | 240221      |
|   | Fuse PPN-41-H3-4A-1000A-UHL3 | 4A        | 1000                     | 120268      |
|   | Fuse PPN-33-X1-00-2A-UHL3    | 00        | 2                        | 120166      |
|   | Fuse PPN-33-X1-00-4A-UHL3    | 00        | 4                        | 120169      |
|   | Fuse PPN-33-X1-00-6A-UHL3    | 00        | 6                        | 120170      |
|   | Fuse PPN-33-X1-00-10A-UHL3   | 00        | 10                       | 120173      |
|   | Fuse PPN-33-X1-00-12A-UHL3   | 00        | 12                       | 120175      |
|   | Fuse PPN-33-X1-00-16A-UHL3   | 00        | 16                       | 120177      |
|   | Fuse PPN-33-X1-00-20A-UHL3   | 00        | 20                       | 120179      |
|   | Fuse PPN-33-X1-00-25A-UHL3   | 00        | 25                       | 120180      |
|   | Fuse PPN-33-X1-00-32A-UHL3   | 00        | 32                       | 120182      |
|   | Fuse PPN-33-X1-00-40A-UHL3   | 00        | 40                       | 120185      |
|   | Fuse PPN-33-X1-00-50A-UHL3   | 00        | 50                       | 120186      |
|   | Fuse PPN-33-X1-00-63A-UHL3   | 00        | 63                       | 120190      |
|   | Fuse PPN-33-X1-00-80A-UHL3   | 00        | 80                       | 120192      |
|   | Fuse PPN-33-X1-00-100A-UHL3  | 00        | 100                      | 120194      |
|   | Fuse PPN-33-X1-00-125A-UHL3  | 00        | 125                      | 120196      |
|   | Fuse PPN-33-X1-00-160A-UHL3  | 00        | 160                      | 120197      |
|   | Fuse PPN-35-X1-1-125A-UHL3   | 1         | 125                      | 120235      |
|   | Fuse PPN-35-X1-1-160A-UHL3   | 1         | 160                      | 120236      |
|   | Fuse PPN-37-X1-2-100A-UHL3   | 2         | 100                      | 120244      |
|   | Fuse PPN-37-X1-2-160A-UHL3   | 2         | 160                      | 120245      |
|   | Fuse PPN-37-X1-2-250A-UHL3   | 2         | 250                      | 120247      |
|   | Fuse PPN-37-X1-2-315A-UHL3   | 2         | 315                      | 120248      |
|   | Fuse PPN-37-X1-2-400A-UHL3   | 2         | 400                      | 120251      |
|   | Fuse PPN-39-X1-3-400A-UHL3   | 3         | 400                      | 120261      |
|   | Fuse PPN-41-X1-4A-1600A-UHL3 | 4A        | 1600                     | 120272      |



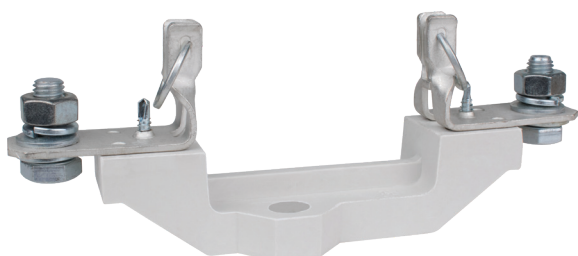
## Additional devices



Base PPN-00-I2-UHL3-KEAZ



Base PPN-0-I2-UHL3-KEAZ



Base PPN-1-I2-UHL3-KEAZ



Base PPN-2-I2-UHL3-KEAZ



Base PPN-3-I2-UHL3-KEAZ



Base PPN-00-I2-UHL3-KEAZ



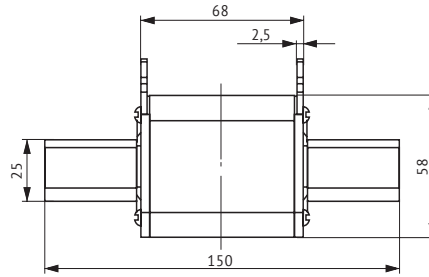
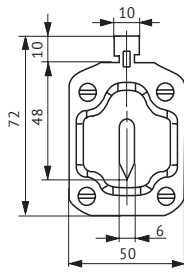
Removal handle PPN/PN2-F-UHL3-KEAZ



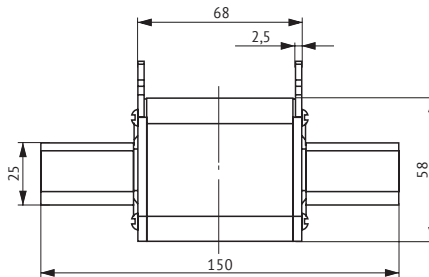
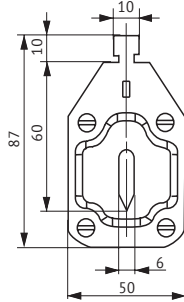
Removal handle PPN/PN2-UHL3-KEAZ

## Overall and mounting dimensions and weight

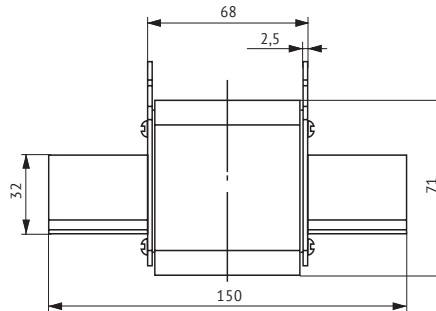
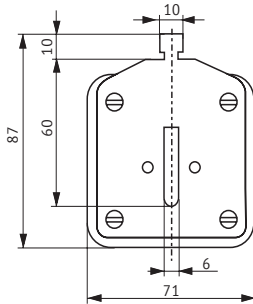
|  |  |  |
|--|--|--|
|  |  | <p>Fuse<br/>PPN-33 clearance 00C</p>             |
|  |  | <p>Fuse<br/>PPN-33 clearance 00C</p>             |
|  |  | <p>Fuse<br/>PPN-33 clearance 00C</p>             |
|  |  | <p>Fuse<br/>PPN-35 clearance 1 (6 - 160 A)</p>   |
|  |  | <p>Fuse<br/>PPN-35 clearance 1 (200 - 250 A)</p> |
|  |  | <p>Fuse<br/>PPN-37 clearance 2 (40 - 250 A)</p>  |



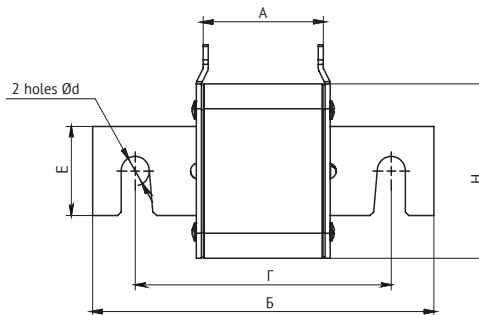
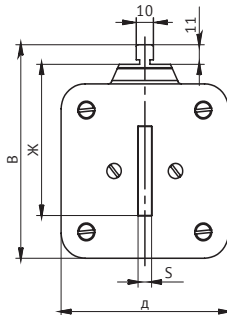
Fuse  
PPN-37 clearance 2 (315 - 400 A)  
Weight 0.56 kg



Fuse  
PPN-39 clearance 3 (100 - 400 A)  
Weight 0.57 kg

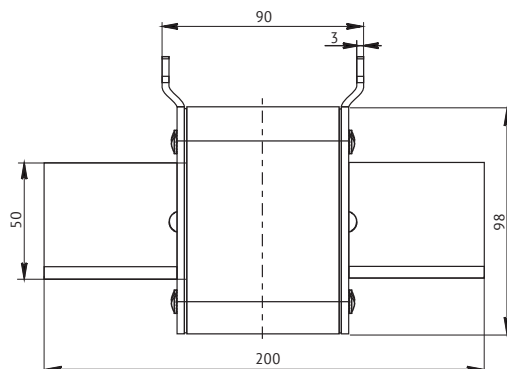
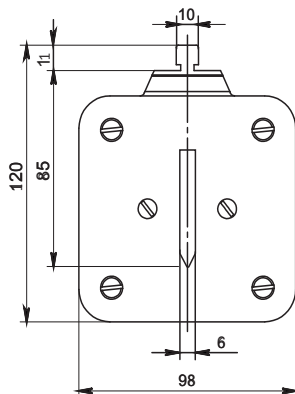


Fuse  
PPN-39 clearance 3 (500 - 630 A)  
Weight 0.93 kg



Fuse  
PPN-41 clearance 4 (630 - 1250 A)

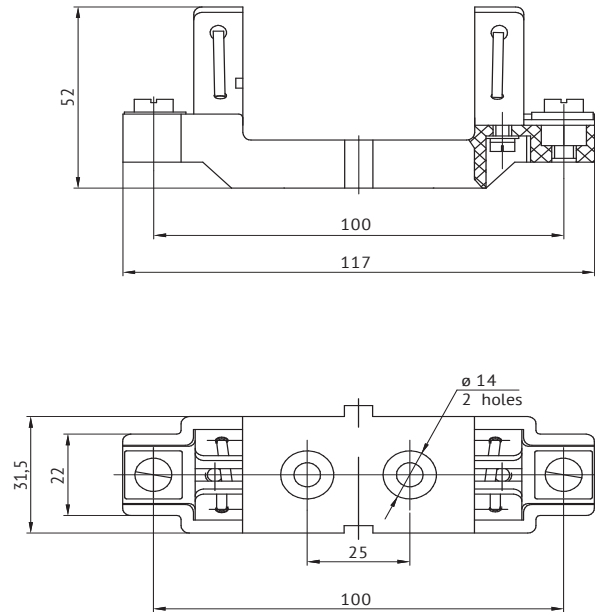
| Type of Fuse        | Clearance | Dimention, mm |     |     |     |    |    |      |    | Weight, kg |      |
|---------------------|-----------|---------------|-----|-----|-----|----|----|------|----|------------|------|
|                     |           | Б             | В   | Г   | Д   | Е  | д  | Ж    | С  |            |      |
| PPN-41 (630 A)      | 4         | 68            | 87  | 71  | 35  |    |    | 60   | 6  | 1,1        |      |
| PPN-41 (800-1000 A) |           | 72            | 200 | 110 | 150 | 80 | 50 | 16,5 | 85 | 8          | 1,63 |
| PPN-41 (1250 A)     |           | 70            | 120 |     | 98  |    |    |      |    |            | 2,12 |



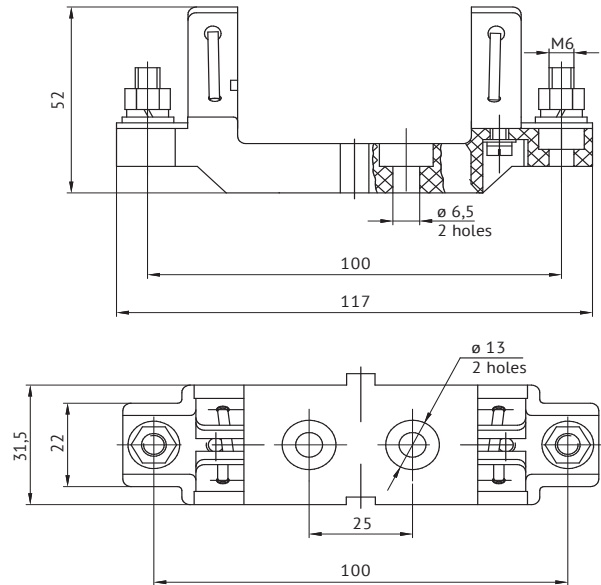
Fuse  
PPN-41 clearance 4a (400 - 1250 A)  
Weight 2.2 kg

## Fuses installed in the bases I1V; I1

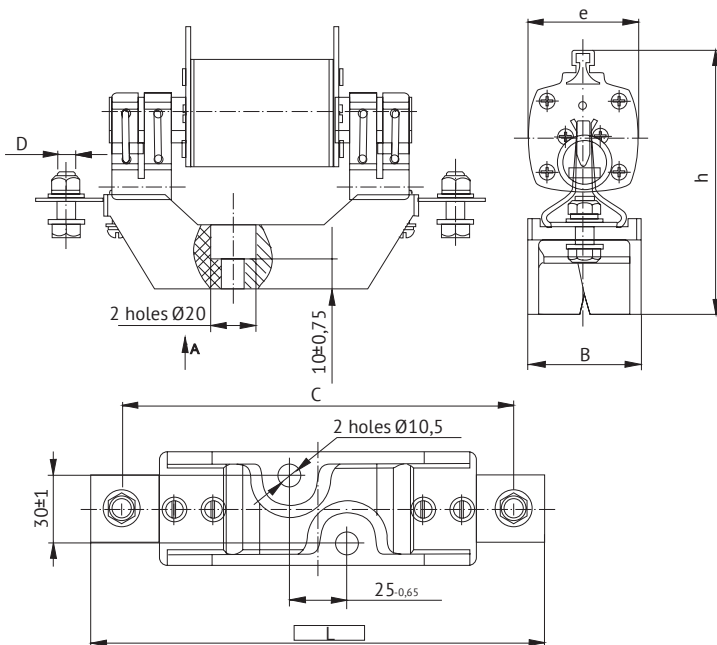
Fuses PPN-33, with clearances 00C and 00, installed in I1V bases (with fastening of lead wires under a screw)



Fuses PPN-33, with clearances 00C and 00, installed in I1 bases (with fastening of lead wires under a nut)



Fuses PPN-33, PPN-35, PPN-37, PPN-39 with clearances 0, 1, 2 and 3, installed in I1 bases

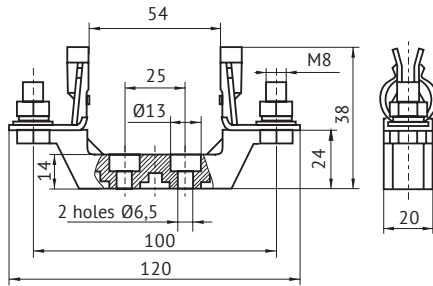


| Type   | Clearance of fuse link | Designation of base | Dimension, mm |         |     |    |         |         | Weight, kg, max |
|--------|------------------------|---------------------|---------------|---------|-----|----|---------|---------|-----------------|
|        |                        |                     | L             | C       | D   | B  | e (max) | h (max) |                 |
| PPN-33 | 0                      | I1                  | 202+3,5       | 175+1,5 | M10 | 50 | 30      | 105     | 0,65            |
| PPN-35 | 1                      |                     | 225+3,5       | 200+1,5 |     | 60 | 52      | 115     | 0,7             |
| PPN-37 | 2                      |                     | 241+3,5       | 210+1,5 | M12 | 60 | 66      | 135     | 1,1             |
| PPN-39 | 3                      |                     | 241+3,5       | 210+1,5 |     | 60 | 66      | 135     | 2,0             |

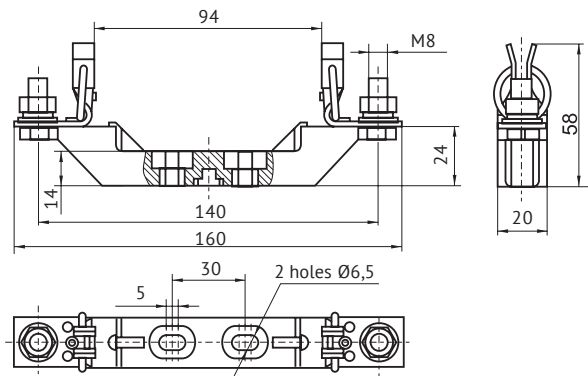
Note: clearance 00 Fuses can be used in bases I1V and I1 up to and including rated current 100 A

**Base holders PPN (version I2)**

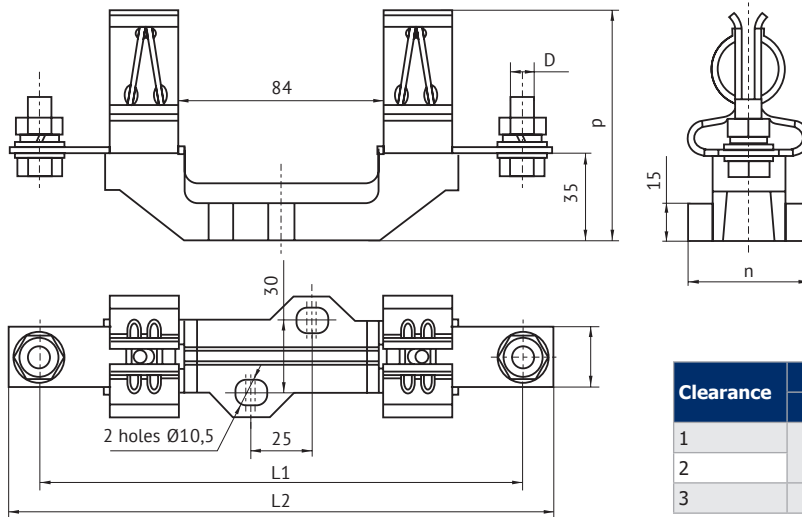
clearance 00C, 00



clearance 0 m=0.13 kg

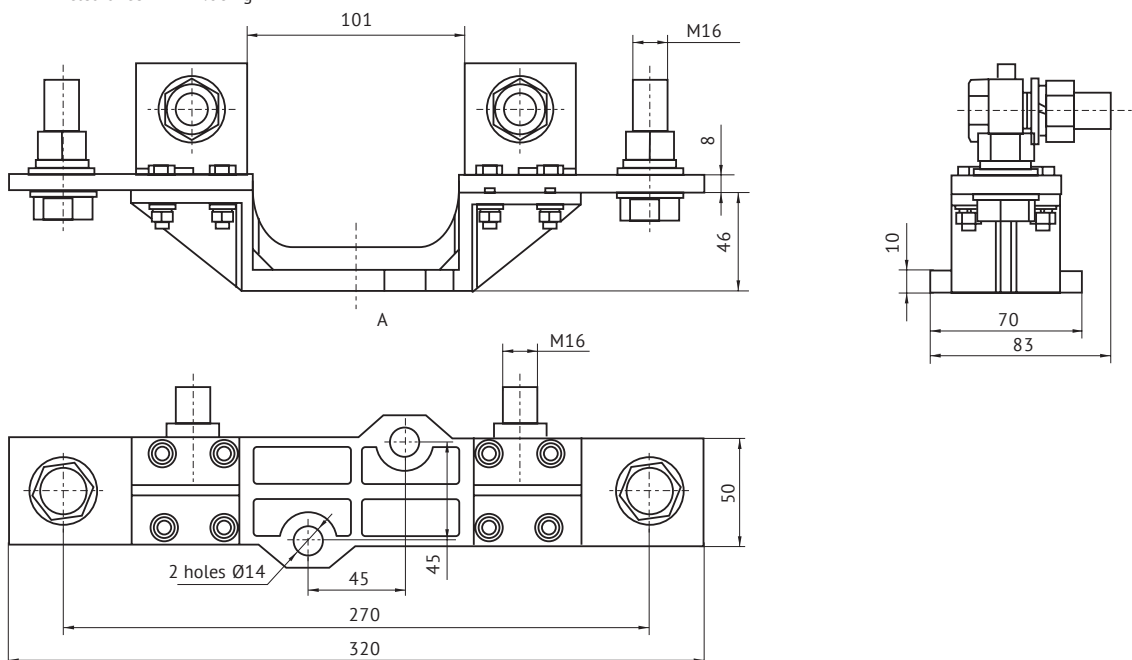


clearance 1, 2, 3



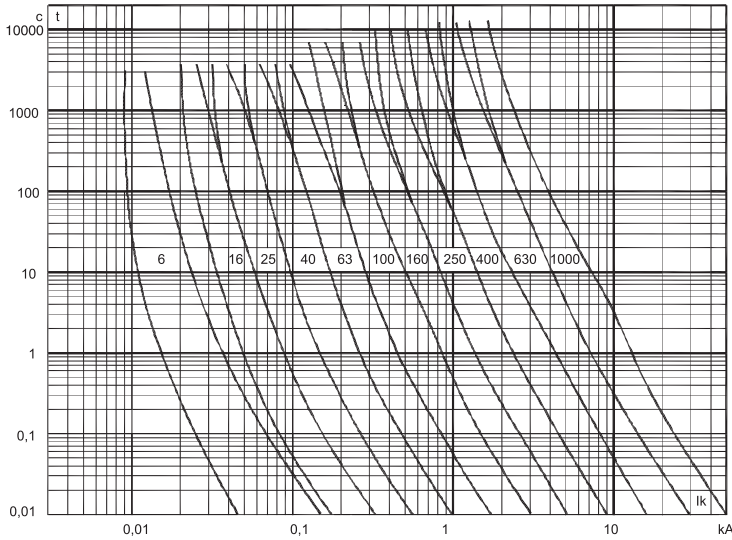
| Clearance | Dimention, mm |     |     |    |    |     | Weight, kg |
|-----------|---------------|-----|-----|----|----|-----|------------|
|           | b             | L1  | L2  | n  | p  | D   |            |
| 1         | 25            | 175 | 200 | 50 | 75 | M10 | 0,35       |
| 2         |               | 200 | 225 |    | 95 |     | 0,48       |
| 3         | 30            | 210 | 245 | 52 |    | M12 | 0,68       |

clearance 4 m=1.68 kg



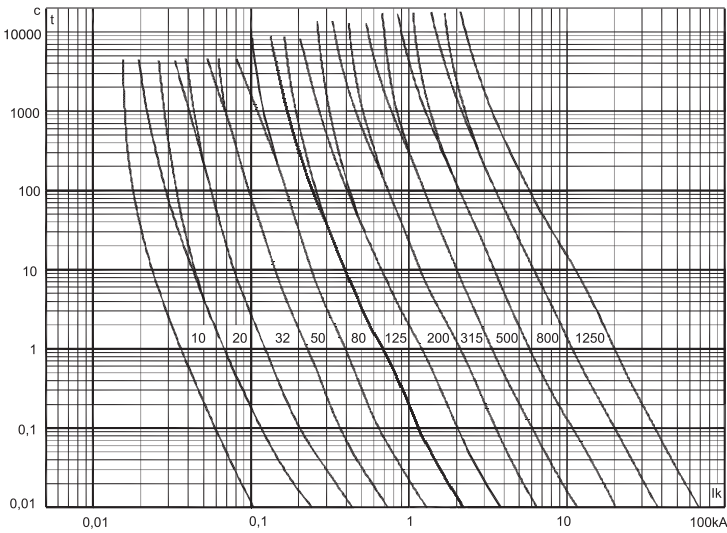
# Characteristics of Fuses

## Zone of time-current characteristics



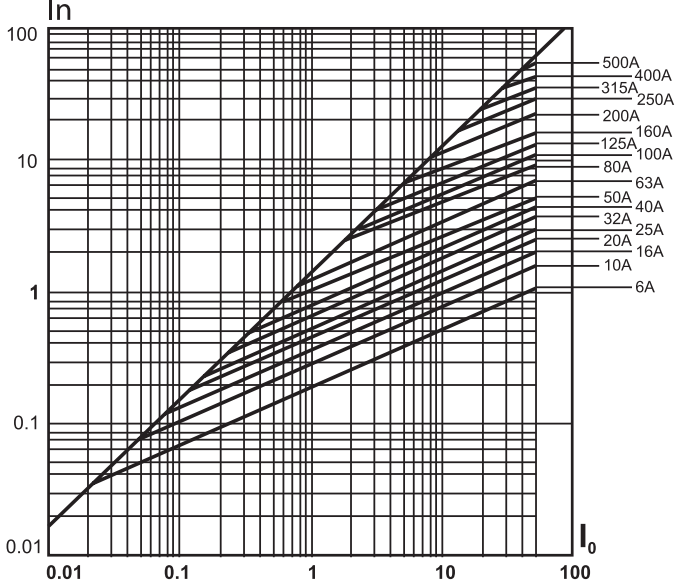
$I_k$  - expected current (acting value)

## Zone of time-current characteristics



$I_k$  - expected current (acting value)

## Transmission Current Characteristics



$I_0$  - shutdown current, kA  
 $I_n$  - current passed by the fuse, kA