

	UTP	FTP	STP
Cat 5e	SA01	SA02	-
Cat 6	SA51	SA52	SA53
Cat 6A	SA61	-	SA63

U/UTP	F/UTP	F/UTP Cat 6A	SF/UTP
<p>332 62</p> <p>> 50 mm</p> <p>1</p> <p>U/UTP</p>	<p>332 62</p> <p>> 50 mm</p> <p>1</p> <p>F/UTP</p>	<p>332 62</p> <p>> 80 mm</p> <p>1</p> <p>2</p> <p>10 mm</p> <p>3</p> <p>4</p> <p>F/UTP Cat 6A</p>	<p>332 62</p> <p>> 80 mm</p> <p>1</p> <p>2</p> <p>10 mm</p> <p>3</p> <p>4</p> <p>SF/UTP</p>

S/FTP

332 62

> 80 mm

1

2

3

4

5

S/FTP

F/FTP

Ø > 9 mm

332 62

> 80 mm

10 mm

2

3

4

5

F/FTP

Ø < 9 mm

> 80 mm

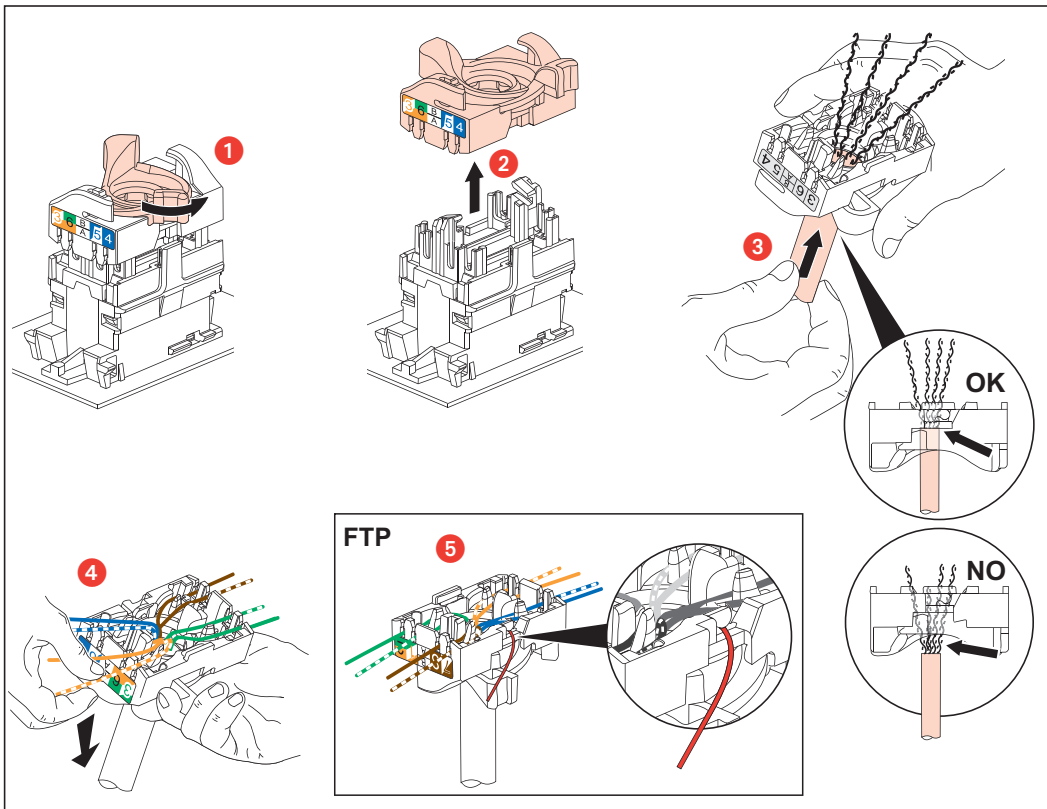
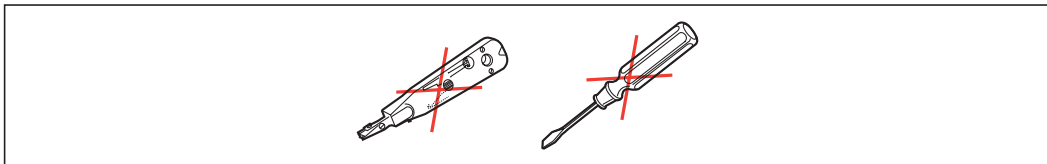
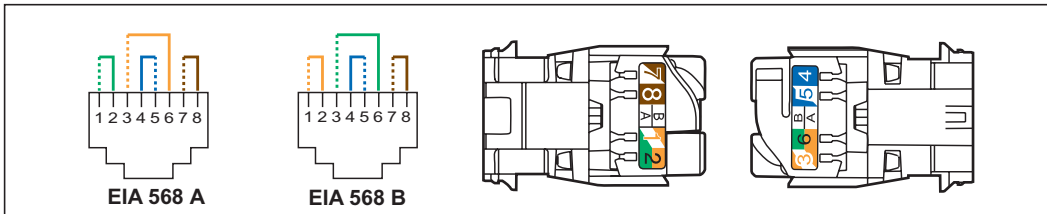
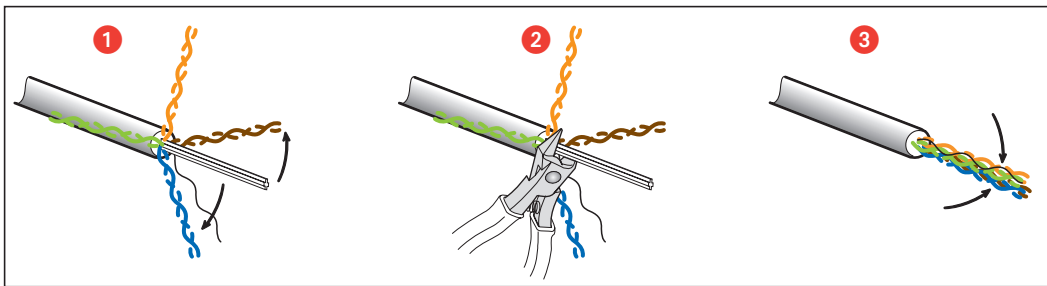
2

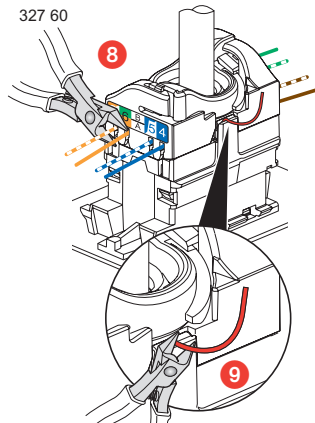
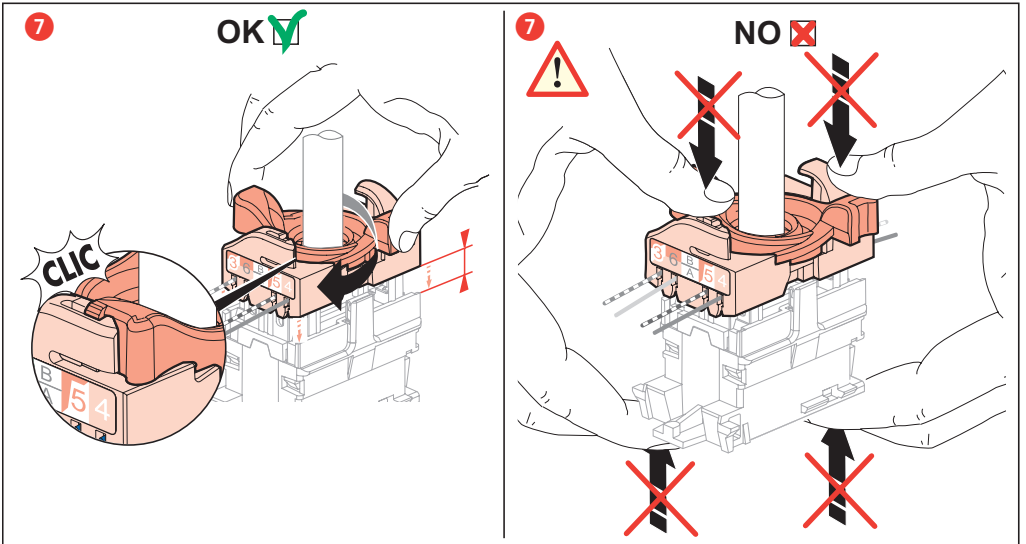
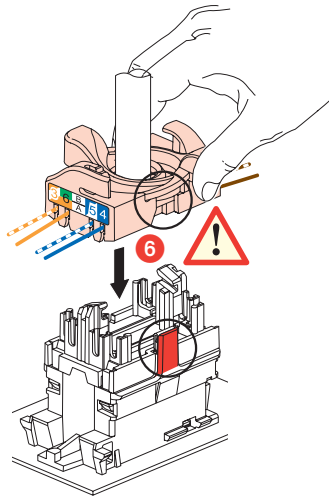
3

4

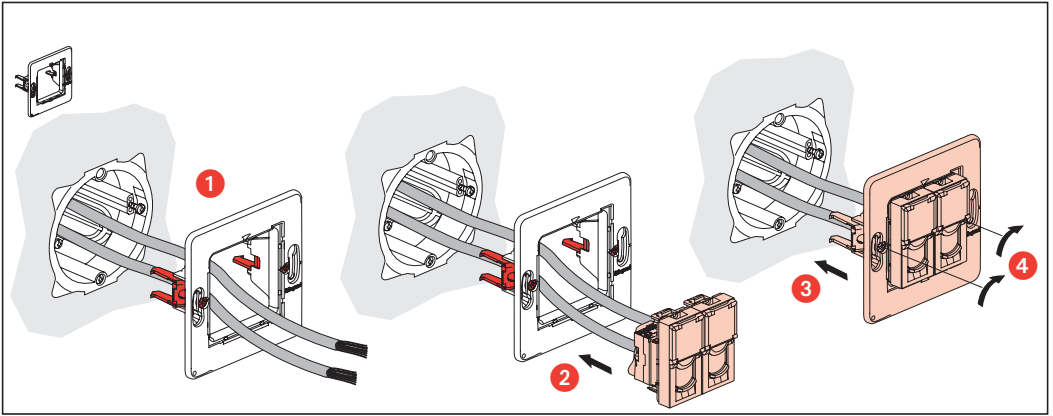
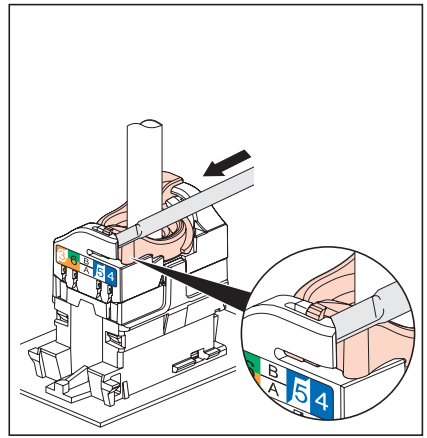
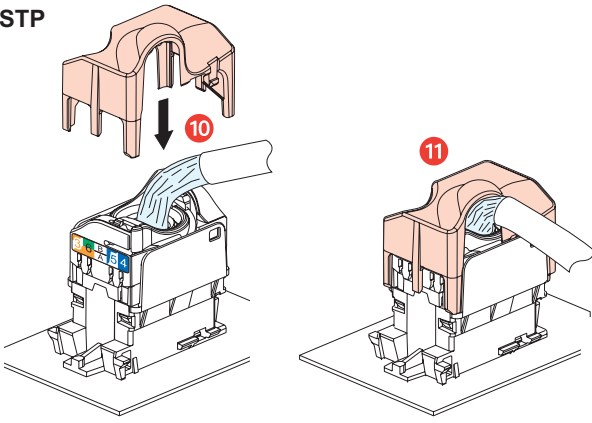
5

F/FTP





STP



⚠ Consignes de sécurité

Avant toute intervention, couper le courant.
Respecter strictement les conditions d'installation et d'utilisation.

(FR LU BE CH)

⚠ Veiligheidsvoorschriften

Onderbreek voor enige ingreep de stroom.
Neem de installatie- en gebruiksvoorwaarden nauwgezet in acht.

(NL BE)

⚠ Sicherheitshinweise

Vor jeglichem Eingriff die Spannungsfreiheit sicherstellen.
Einbau- und Gebrauchsanleitungen sind genau zu beachten.

(DE AT LI CH)

⚠ Safety instructions

Make sure the power supply is disconnected before any intervention.
Strictly comply with instructions for installation and use.

(GB IE)

⚠ Consignas de seguridad

Antes de cualquier intervención, cortar la corriente.
Respetar estrictamente las condiciones de instalación y de utilización.

(ES)

⚠ Instruções de segurança

Antes de qualquer intervenção, cortar a corrente.
Respeitar estritamente as condições de instalação e de utilização.

(PT)

⚠ Συστάσεις ασφαλείας

Πριν από οποιαδήποτε επέμβαση, κόψτε το ρεύμα.
Τηρήστε αυστηρά τις συνθήκες εγκατάστασης και χρήσης.

(GR CY)

⚠ Меры предосторожности

Преди каквото и да е работа по продукта, да се изключи от
електрическото захранване.
Задължително е да се спазват условията за инсталиране и
употреба

(RU)

⚠ Güvenlik talimatları

Herhangi bir müdahaleden önce, akımı kesiniz.
Yerleştirme ve kullanım koşullarına titizlikle riayet ediniz.

(TR CY)

⚠ إرشادات الأمان:

تُدار الكهرباء، قبل أي تدخل. تقيّد تقيداً تماماً بشروط التركيب